

# Tempest™

## Vehicle Drying System



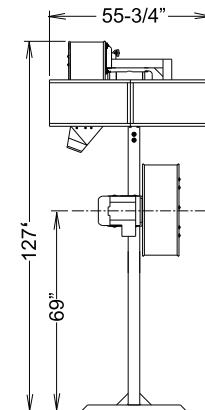
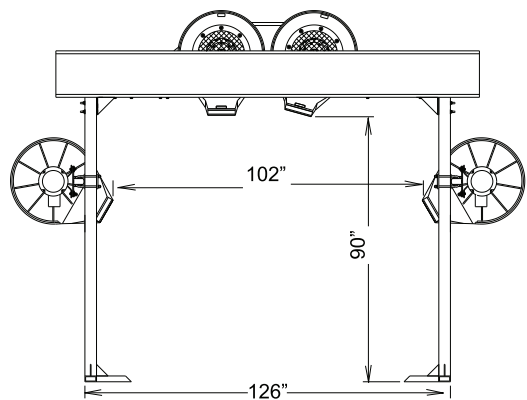
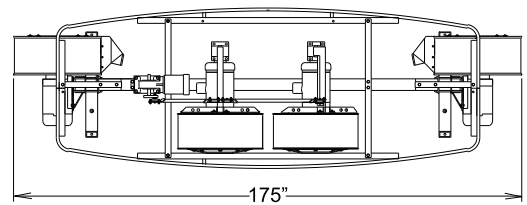
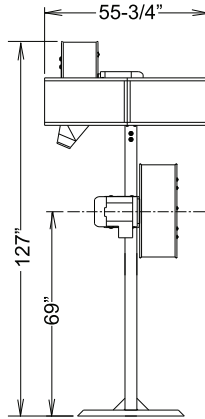
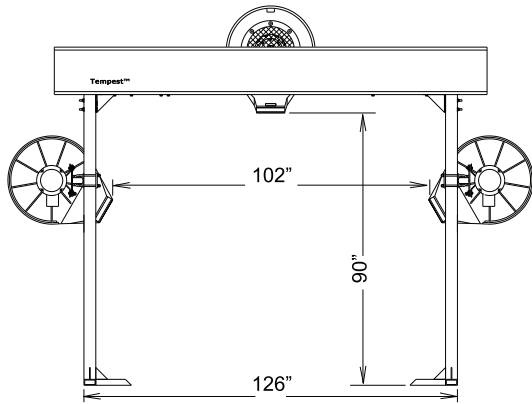
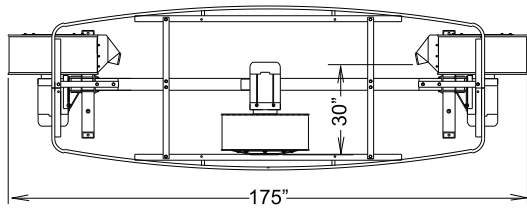
### Standard Features

- Available with 3 or 4-nozzles
- Ideal for in-bay automatics or short tunnels
- 10 H.P. or 15 H.P. motors with SUPERfans™
- One-piece rotomolded fan housings with oval nozzles
- Top nozzles located in front of side nozzles for better drying
- Air intake for side nozzles away from wet area
- Heavy aluminum construction

### Optional Features

- Top trim Panels
- Patented Oscillating nozzles
- Patented Dual Port™ Top nozzles for drying rear windows and trunks
- Energy saving Air On-Demand System
- Motor control panels with step-start feature or Variable Frequency Drive (VFD)

The  
**Dryer Pros**



Above dryers shown with optional trim panels and dual oscillating top nozzles.

Model 36-102A, 36-107, 36-112

### Tempest™ Dryer

Overall Height: 127"  
 Overall Width: 175"  
 Overall Depth: 55-3/4"

Maximum Vehicle Clearance: 90" h x 102" w

Air Flow:  
 10 H.P. Blower Assy. 3,600 CFM  
 15 H.P. Blower Assy. 4,000 CFM  
 Air Velocity:  
 10 H.P. Blower Assy. 162 MPH  
 15 H.P. Blower Assy. 182 MPH  
 Amp Load:  
 10 H.P. Blower Assy. 23 amps @ 230/3/60 volts  
 15 H.P. Blower Assy. 34 amps @ 230/3/60 volts  
 1/3 H.P. Osc. Motor 5.5 amps @ 115 VAC

Bearings:  
 Osc. Nozzle Arm 1", 2-bolt, pillow block  
 Jack Shafts 1", 2-bolt, flanged  
 Drive Rods 1/2", 2-bolt, flanged

Models 36-109, 36-116, 36-114

### 4-Nozzle Touch-Free Dryers

Overall Height: 127-1/2"  
 Overall Width: 175"  
 Overall Depth: 55-3/4"

Maximum Vehicle Clearance: 90" h x 102" w

Air Flow:  
 10 H.P. Blower Assy. 3,600 CFM  
 15 H.P. Blower Assy. 4,000 CFM  
 Air Velocity:  
 10 H.P. Blower Assy. 162 MPH  
 15 H.P. Blower Assy. 182 MPH  
 Amp Load:  
 10 H.P. Blower Assy. 23 amps @ 230/3/60 volts  
 15 H.P. Blower Assy. 34 amps @ 230/3/60 volts  
 1/3 H.P. Osc. Motor 5.5 amps @ 115 VAC

Bearings:  
 Osc. Nozzle Arm 1", 2-bolt, pillow block  
 Jack Shafts 1", 2-bolt, flanged  
 Drive Rods 1/2", 2-bolt, flanged

NOTE: Motor starters and activation system required.

© 2009 The Dryer Pros LLC All rights reserved. The Dryer Pros reserves the right to make improvements on products, and change specifications and prices accordingly without notice.

